

## 1.25Gb/s SFP 1310nm 20km Transceiver

### TS311AT-EN Product Specification

#### FEATURES

- Typical data rate 1.25Gbps
- 1310nm FP Laser and PIN photo detector
- Duplex LC receptacle
- Single +3.3V power supply
- Hot-pluggable
- International Class1 laser safety certified
- Operating temperature range: -20 ~ +85°C
- RoHS Compliant
- Support Digital Diagnostic Monitoring interface
- Max reach 20km over SMF

#### APPLICATIONS

- Point-to-Point networking
- SONET OC-24
- 1X,2X Fiber Channel
- Other Optical Links

#### ORDERING INFORMATION

Part Number	Form Factor	Data Rate	Media	Distance (km)	Wavelength (nm)	Temperature (°C)
TS311AT-IN	SFP	1.25Gbps	SMF	20	1310	-40~85

### ABSOLUTE MAXIMUM RATINGS

Exceeding the limits below may damage the transceiver permanently.

Parameter	Symbol	Min	Typ	Max	Unit.	Note
Storage Temperature	TSTG	-40	-	85	°C	
Operating Relative Humidity	RH	5	-	95	%	
Supply Voltage	VCC	-0.5	-	4	V	

### RECOMMENDED OPERATING CONDITIONS

Parameter	Symbol	Min	Typ	Max	Unit.	Note
Operating Case Temperature	Tc	-40	-	85	°C	
Supply Voltage	VCC3	3.13	3.3	3.47	V	
Supply Current	ICC3	-	-	300	mA	+3.3V Supply
Data Rate	DR	-	1.25	-	Gbps	

### ELECTRICAL and OPTICAL CHARACTERISTICS

Parameter	Symbol	Min	Typ	Max	Unit.	Note
Transmitter@1.25Gbps						
Tx Differential Input Amplitude	Vin p-p	200	-	2400	mV	
Input Differential Impedance	Zin	-	100	-	Ω	
Output Optical Power	PO	-8	-	-3	dBm	
Extinction Ratio	ER	9	-	-	dB	
Center Wavelength Range	λc	1260	1310	1355	nm	
Spectral Width	σ	-	-	3.5	nm	
Optical Return Loss Tolerance	RL	12	-	-	dB	
Output Optical Eye	Compliant with G.957					
Tx Disable Voltage	VOH	2	-	VCC	V	LVTTTL
	VOL	0	-	0.8	V	LVTTTL
Optical Power at Tx Disable	Ptxdis	-	-	-45	dBm	
Receiver@1.25Gbps						
Rx Differential Output Amplitude	Vout p-p	300	-	800	mV	
Receiver Optical Wavelength	λc	1260	-	1355	nm	
Receiver Sensitivity	Sen	-	-	-23	dBm	Note 1
Receiver Overload	OL	-3	-	-	dBm	
LOS Voltage	Normal	2	-	Vcc+0.3	V	LVTTTL
	Fault	0	-	0.8	V	LVTTTL

Parameter	Symbol	Min	Typ	Max	Unit.	Note
LOS Assert Level	LOSA	-38	-	-	dBm	
LOS De-Assert Level	LOSD	-	-	-25	dBm	
LOS Hysteresis	LOSH	0.5		6	dB	

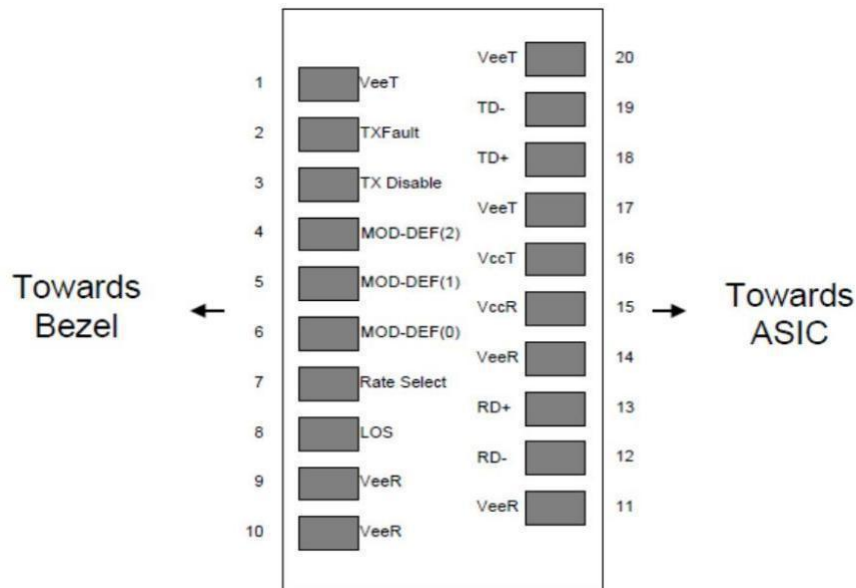
**Notes:**

1.Measured with 2<sup>7</sup>-1 NRZ Pattern. BER≤1E-12@1.25Gpbs, ER=9dB

**Digital Diagnostic Functions**

Parameter	Symbol	Min.	Max.	Unit	Repeatability	Notes
Temperature	DDMI_Temp	-3	3	°C	± 1°C	1LSB=1/256°C
Supply Voltage	DDMI_VCC	-3%	3%	V	± 1 %	1LSB=0.1mV
Bias Current	DDMI_Ibias	-10%	10%	mA	± 5 %	1LSB=2uA
TX Optical Power	DDMI_TX	-3	+3	dB	± 0.5 dB	1LSB=0.1uW
RX Optical Power	DDMI_RX	-3	+3	dB	± 1.5 dB	1LSB=0.1uW

**PIN DIAGRAM**



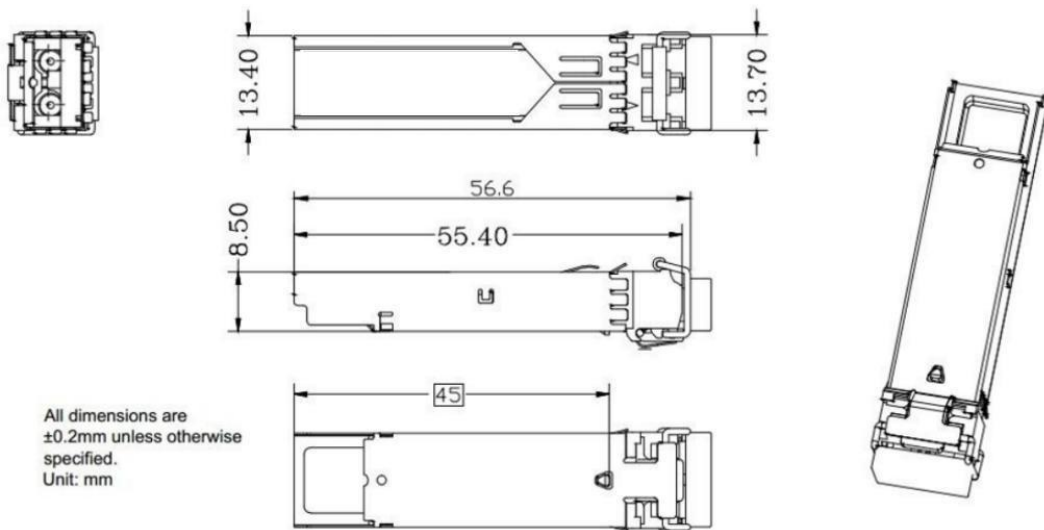
## PIN DESCRIPTIONS

Pin	Symbol	Description	Notes
1	VeeT	Transmitter Ground (Common with Receiver Ground)	5
2	TX_Fault	Transmitter Fault, Low: normal; High: abnormal	1
3	TX_Disable	Transmitter Disable High: Transmitter off Low: Transmitter on	2
4	MOD_DEF(2)	Module Definition 2. Data line for Serial ID.	3
5	MOD_DEF(1)	Module Definition 1. Clock line for Serial ID.	3
6	MOD_DEF(0)	Module Definition 0. Grounded within the module.	
7	Rate Select	No connection required	
8	LOS	Loss of Signal indication. Logic 0 indicates normal operation.	4
9	VEER	Receiver Ground(Common with Transmitter Ground)	5
10	VEER	Receiver Ground(Common with Transmitter Ground)	5
11	VEER	Receiver Ground(Common with Transmitter Ground)	5
12	RD-	Receiver Inverted DATA out. AC Coupled. CML-O	6
13	RD+	Receiver Non-inverted DATA out. AC Coupled. CML-O	6
14	VeeR	Receiver Ground	5
15	VccR	Receiver Power Supply	
16	VccT	Transmitter Power Supply	
17	VeeT	Transmitter Ground	5
18	TD+	Transmitter Non-Inverted DATA in. AC Coupled. CML-I	7
19	TD-	Transmitter Inverted DATA in. AC Coupled. CML-I	7
20	VeeT	Transmitter Ground (Common with Receiver Ground)	5

### Notes:

1. TX\_Fault is an open collector/drain output, which should be pulled up with a 4.7K-10K $\Omega$  resistor on the host board. Pull up voltage between 2.0V and  $V_{ccT}/R+0.3V$ . When high, output indicates a laser fault of some kind. Low indicates normal operation. In the low state, the output will be pulled to < 0.8V.
2. TX\_Disable is an input that is used to shut down the transmitter optical output. It is pulled up within the module with a 4.7-10 K $\Omega$  resistor.
3. SDA and SCL should be pulled up with a 4.7K- 10K $\Omega$  resistor on the host board.
4. LOS (Loss of Signal) is an open collector/drain output, which should be pulled up with a 4.7K - 10K $\Omega$  resistor. Pull up voltage between 2.0V and  $V_{ccT}/R+0.3V$ . When high, this output indicates the received optical power is below the worst-case receiver sensitivity (as defined by the standard in use). Low indicates normal operation. In the low state, the output will be pulled to < 0.8V
5. The module signal ground contacts, VeeR and VeeT, should be isolated from the module case
6. RD-/+ : These are the differential receiver outputs. They are AC coupled 100 $\Omega$  differential lines which should be terminated with 100 $\Omega$  (differential) at the user SERDES. The AC coupling is done inside the module and is thus not required on the host board.
7. TD-/+ : These are the differential transmitter inputs. They are AC-coupled, differential lines with 100 $\Omega$  differential termination inside the module. The AC coupling is done inside the module and is thus not required on the host board.

### MECHANICAL SPECIFICATION



### LABEL DIAGRAM



## TS311AT-IN

SFP 1.25G Duplex 1310nm 20km LC EXT TEMP

Class 1 Laser  
MADE IN CHINA

